

# INSTRUCTION MANUAL

## IMPORTANT SAFETY INSTRUCTIONS

When using electrical products, basic precautions should always be followed including the following :

### READ AND FOLLOW ALL SAFETY INSTRUCTIONS

1. Do not use seasonal products outdoors unless rated suitable for outdoor use. When products are used in outdoor applications, connect the product to a Ground Fault Circuit Interrupter (GFCI) outlet. If one is not provided, contact a qualified electrician for proper installation.
2. This seasonal use product is not intended for permanent installation or use.
3. Do not mount or place near gas or electric heaters, fireplace, candles or other similar sources of heat.
4. Do not secure the wiring of this product with staples or nails or place on sharp hooks or nails.
5. Do not alter the construction of the wiring in anyway.
6. Do not let lamps rest on the supply cord or on any wire.
7. Unplug the product when leaving the house, retiring for the night, or if left unattended.
8. This is an electric product-not a toy! To avoid the risk of burns, personal injury and electric shock it should not be played with or other placed where small children can reach it.
9. Do not use this product for anything other than its intended use.
10. Do not hang ornaments or other objects from the cord, wire, or light string.
11. Do not close doors or windows on the product or extension cords as this may damage the wire insulation.
12. Do not cover the product with cloth, paper or any material not part of the product when in use.
13. Do not mount or support strings in a manner that can cut or damage the wire insulation.

### SAVE THESE INSTRUCTIONS

#### USE AND CARE INSTRUCTIONS

1. Before using or reusing, inspect the product carefully. Discard any products that have cut, damaged or frayed wire insulation or cords, cracks in the lamp holders or enclosures, loose connections, or exposed copper wire.
2. When storing the product, carefully remove the product from wherever it was placed including tree, branches or bushes to avoid undue strain and stress on the product conductors, connections and wires.
3. When not in use, store neatly in a cool dry location protected from sunlight.

#### CAUTION:

This product is packed with the UL listed indoor and outdoor use External Power Supply.

Only this included power supply may be used with this product.

Adapter input: 120V AC 60Hz, Output : 30Vdc / 6W

WARNING : Risk of electric Shock. Mount the unit at a height greater than 0.3M from the ground surface.

#### CAUTION:

1. Read and follow all instructions that are on the product or provided with the product.
2. Do not use an extension cord.
3. Installation work and electrical wiring must be done by qualified person(s) in accordance with all applicable codes and standards, including fire-rated construction.
4. Do not install or use within 10 feet of a pool.
5. Do not use in a bathroom.
6. Lamps cannot be removed and replaced.

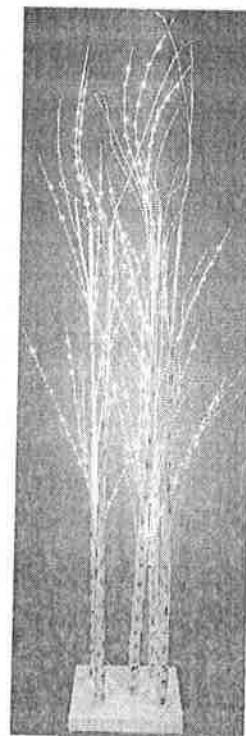
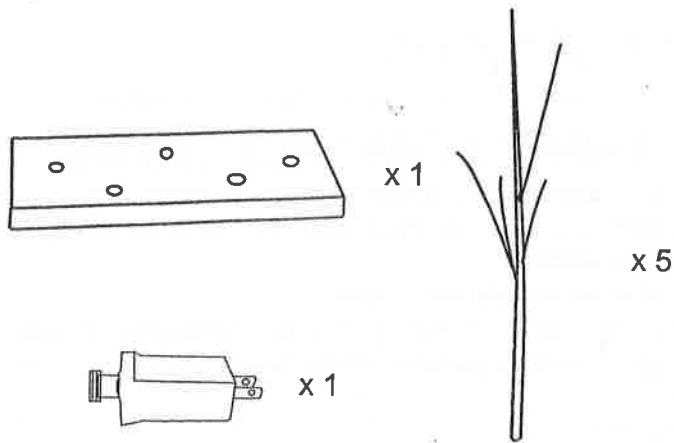
FOR INDOOR AND OUTDOOR USE

120V 60Hz AC 0.03A 4.5Watts

MODEL NO.: 15-11350E/6A

MADE IN CHINA

# ASSEMBLY DIAGRAM:



16 ft (500cm)

## PACKAGE CONTENTS

Part	Description	Quantity
A	Stand	1 pc
B	LED Pre-Lit Branch	5 pcs
C	Birch Branch	5 pcs
D	Adapter	1 pc

## ASSEMBLY INSTRUCTION:

1. Carefully remove all packing materials such as tags, fasteners, strings etc.
2. Place the stand and the Birch Branches ( 5 pcs) in the ground. The stand is a little heavy.
3. Care to insert the 5 pieces LED pre-lit branches into the holes of the stand.  
Care to trim the branches as a tree shape.
4. Connect the cord to the provided adapter and plug the adapter into a standard 120V AC outlet and light up the LED bulbs.