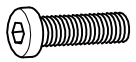



Assembly Instruction

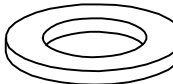
①


M6*30mm 2PCS


②

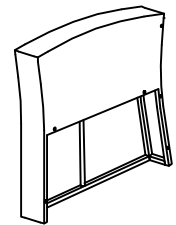

M6*35mm 8PCS

③

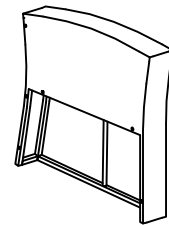

10PCS

④

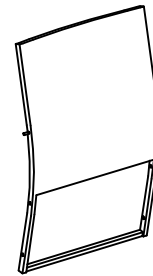

1PC



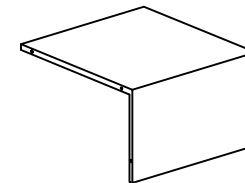
A*1



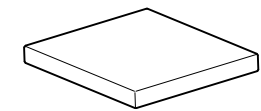
B*1



C*1

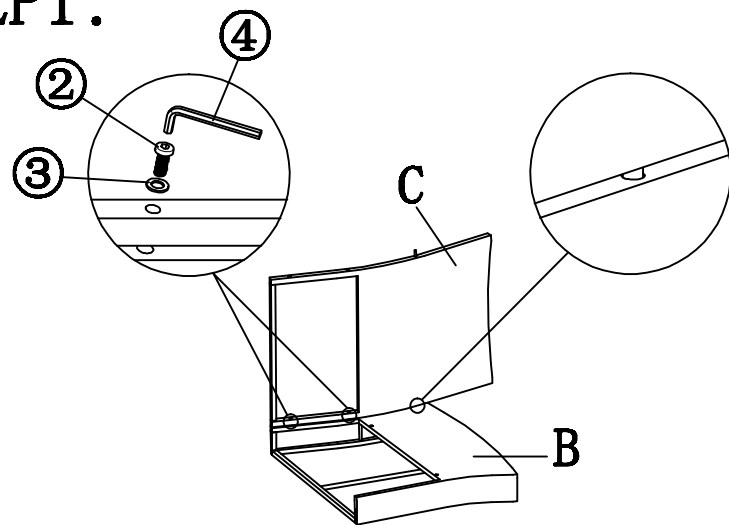


D*1

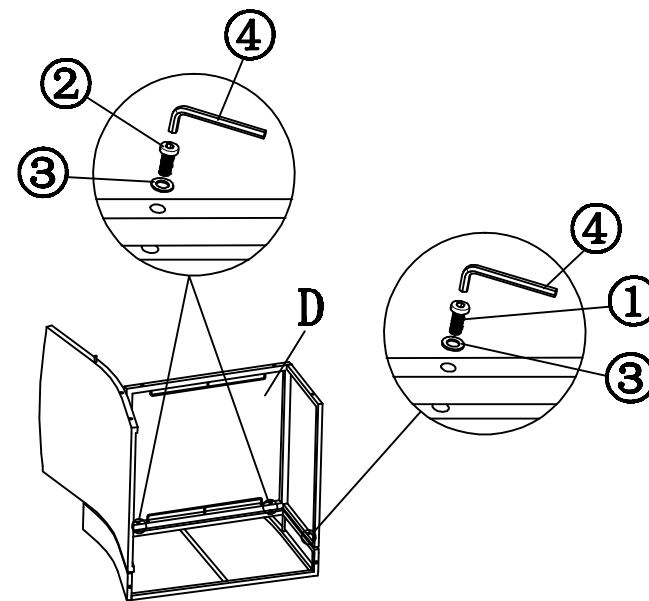


E*1

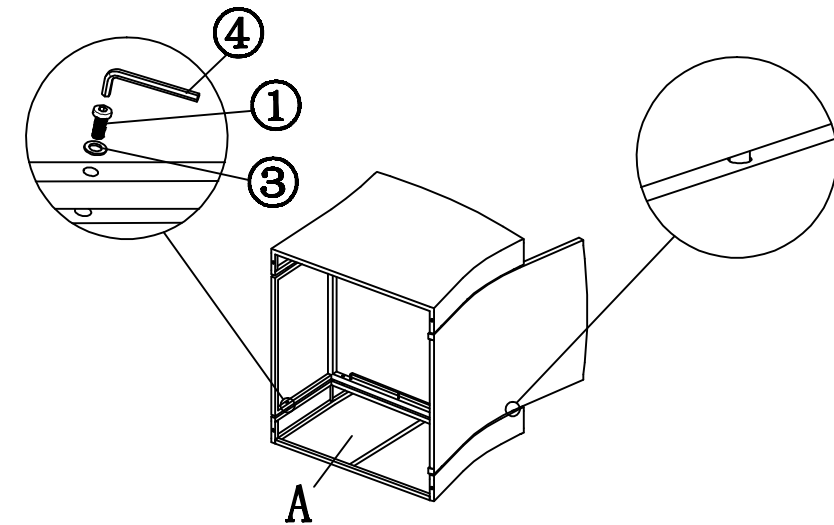
STEP1:



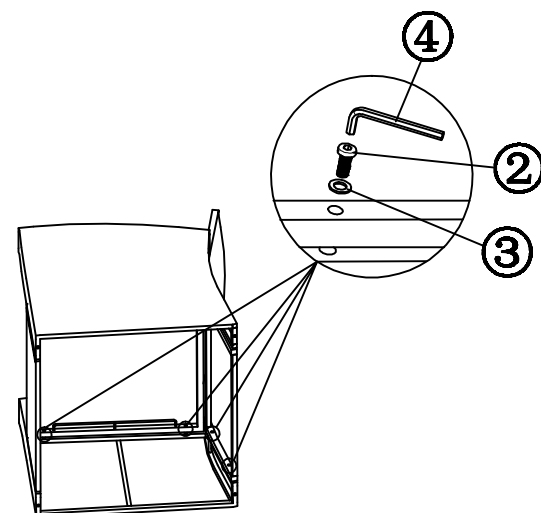
STEP2:



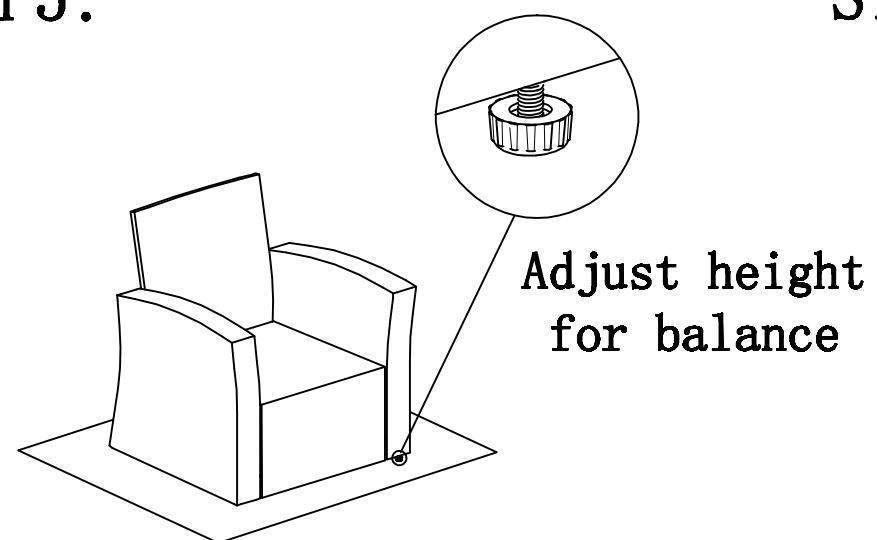
STEP3:



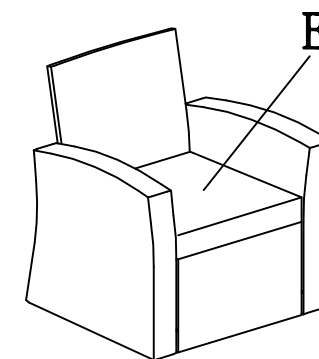
STEP4:



STEP5:

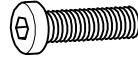


STEP6:




Assembly Instruction


①


M6*30mm 2PCS


②

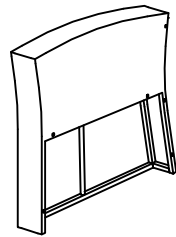

M6*35mm 10PCS

③

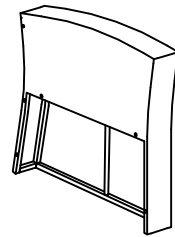

10PCS

④

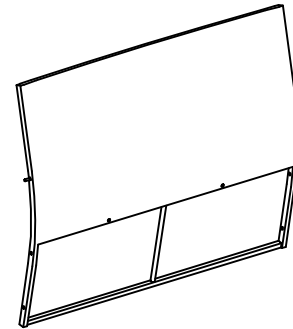

1PC



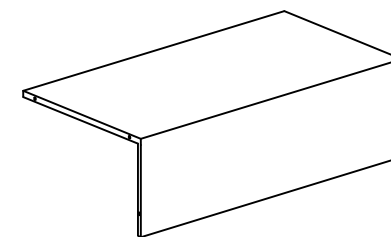
A*1



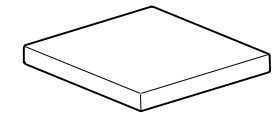
B*1



F*1

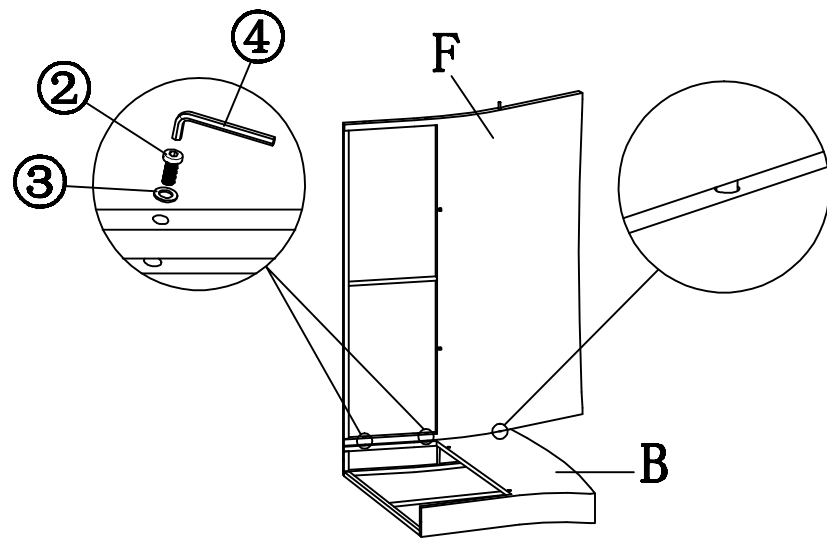


G*1

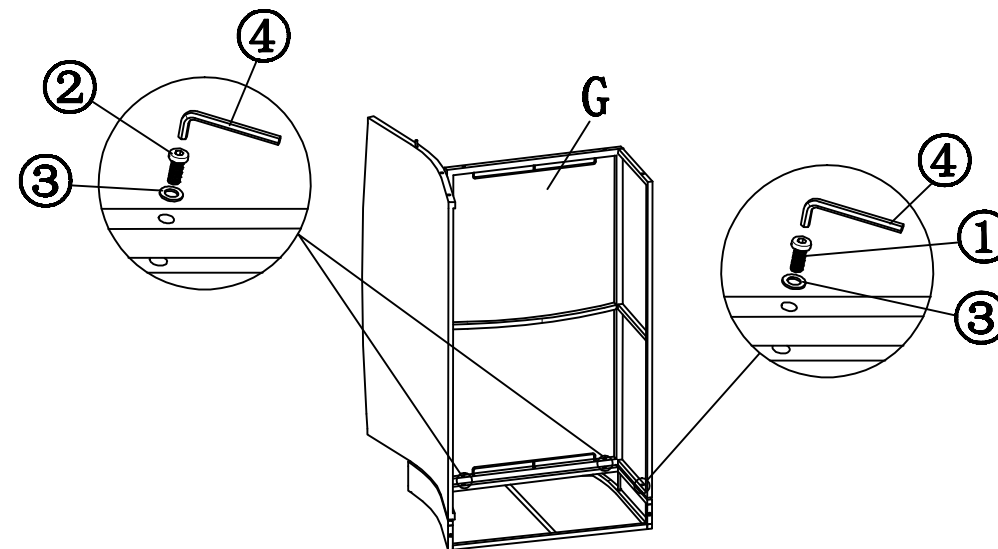


E*2

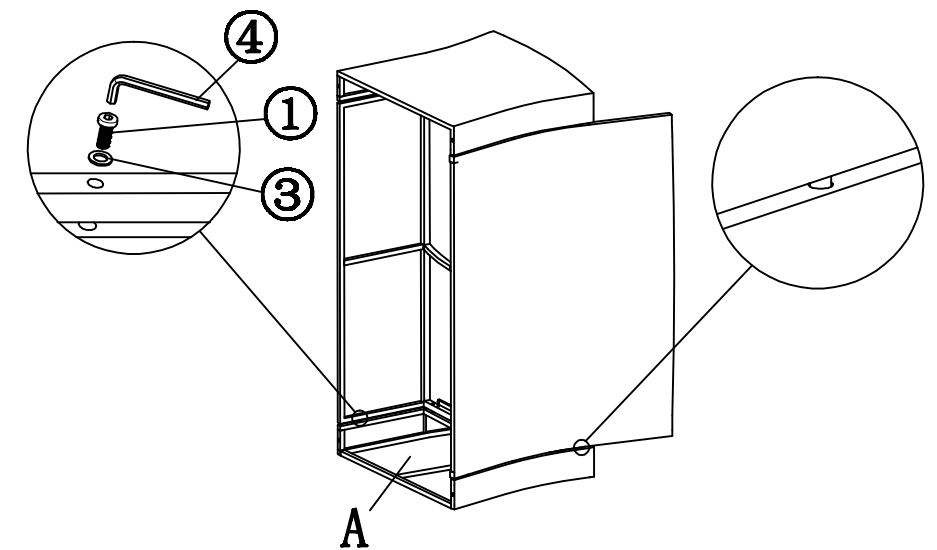
STEP1:



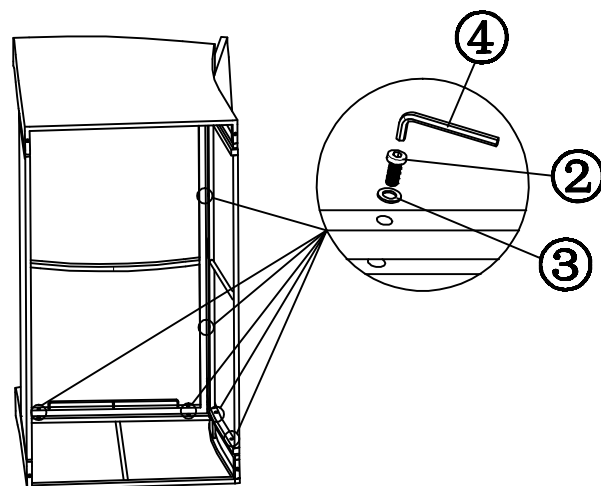
STEP2:



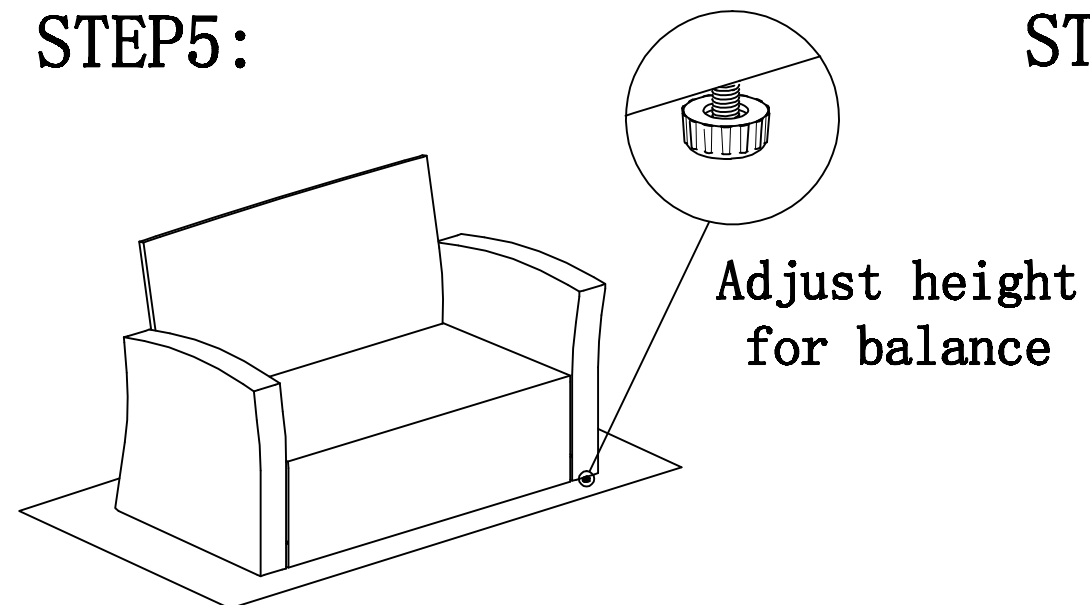
STEP3:



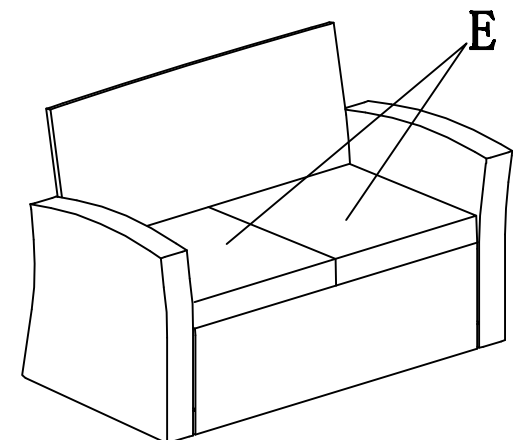
STEP4:



STEP5:

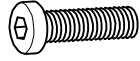


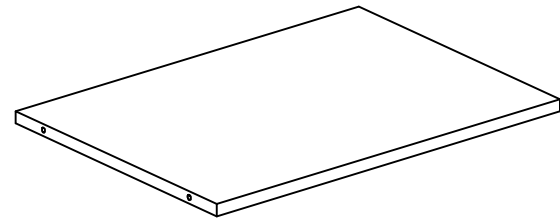
STEP6:



Assembly Instruction

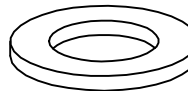
①

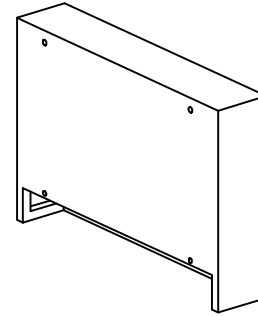

M6*30mm 8PCS



H*2

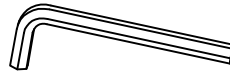
③

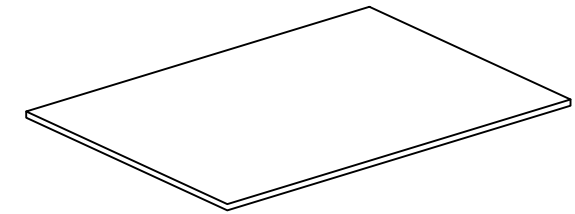

8PCS



I*2

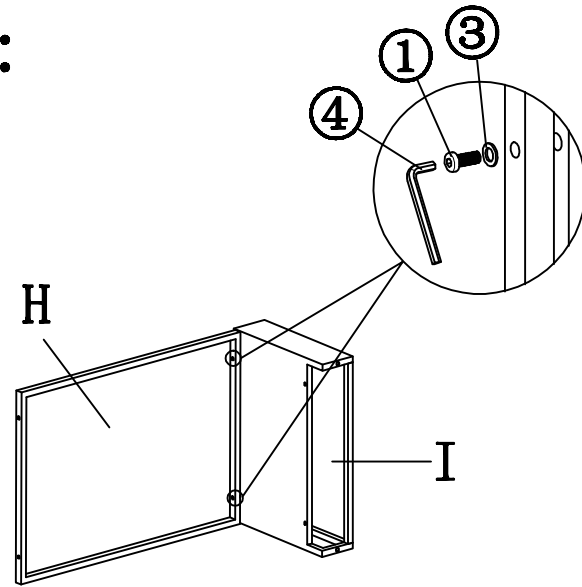
④


1PC

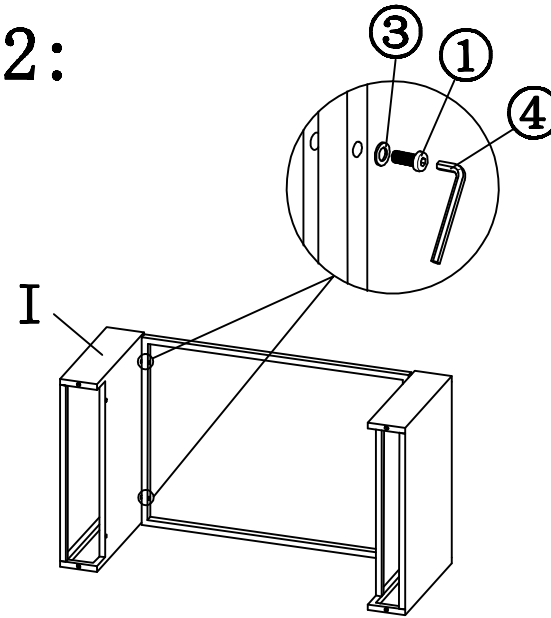


J*1

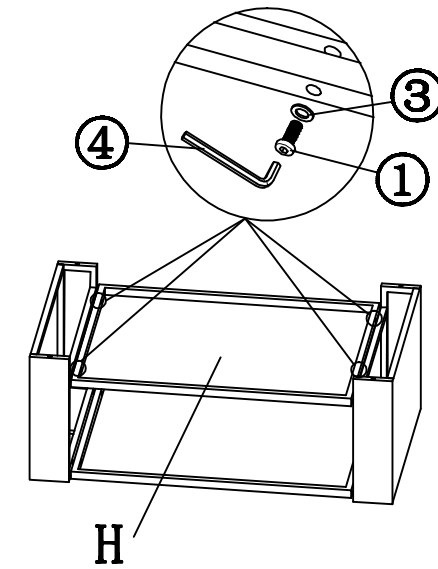
STEP1:



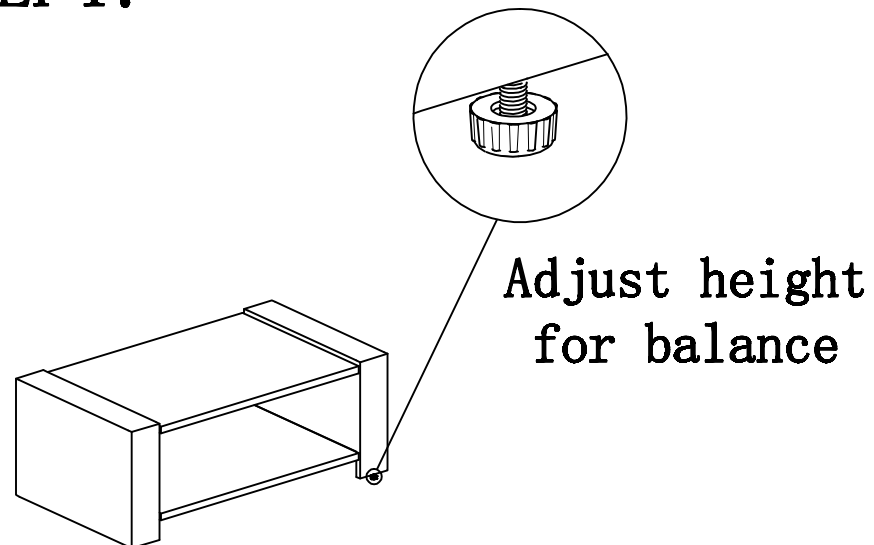
STEP2:



STEP3:



STEP4:



STEP5:

