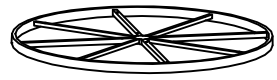
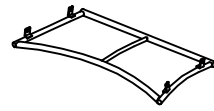


# Assembly Instruction



A\*1



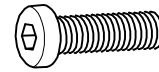
B\*2



C\*2

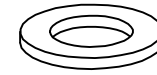


D\*1



M6\*20

E\*12



F\*12

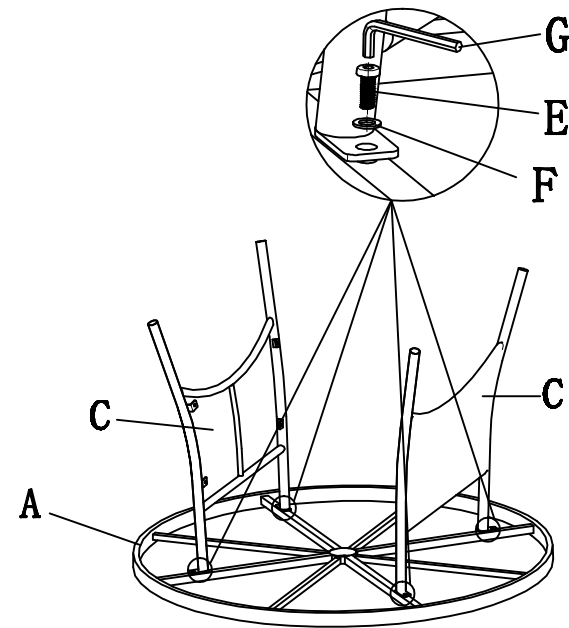


G\*1

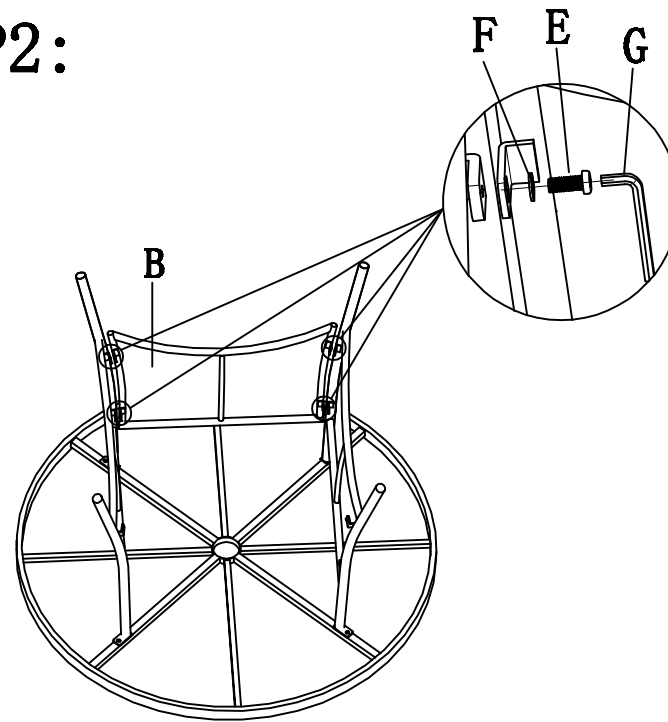


H\*1

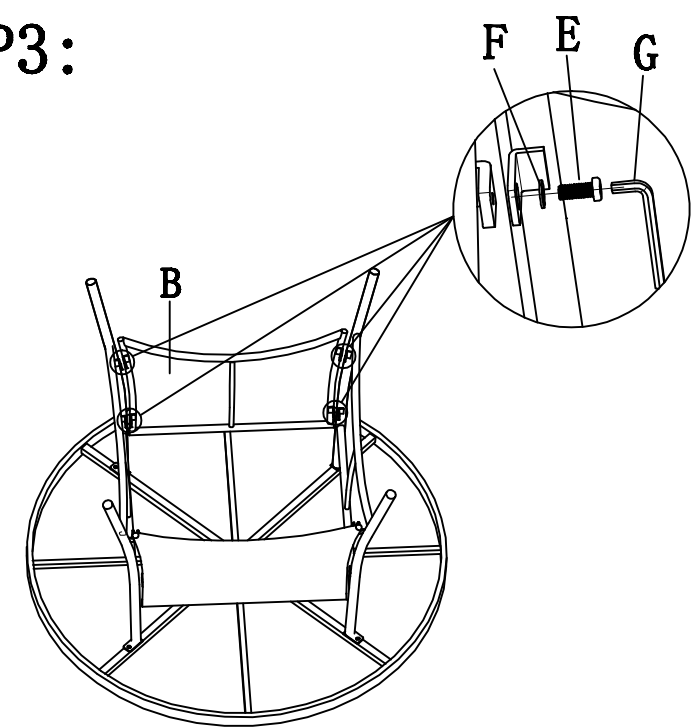
**STEP1:**



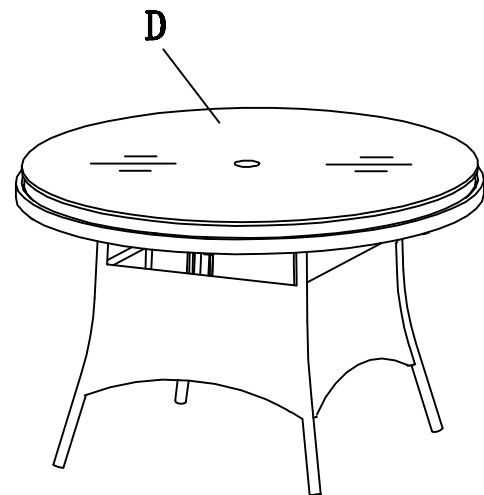
**STEP2:**



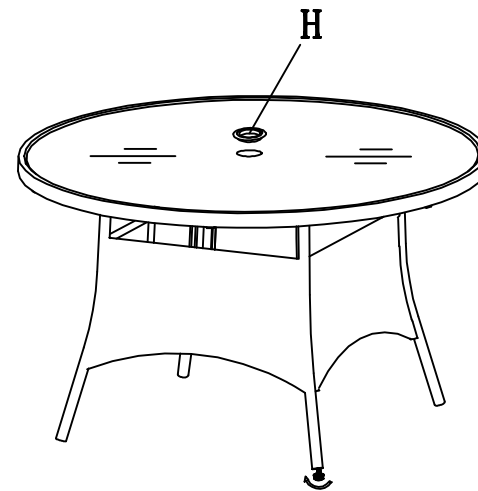
**STEP3:**



**STEP4:**



**STEP5:**



Touch Me For Level