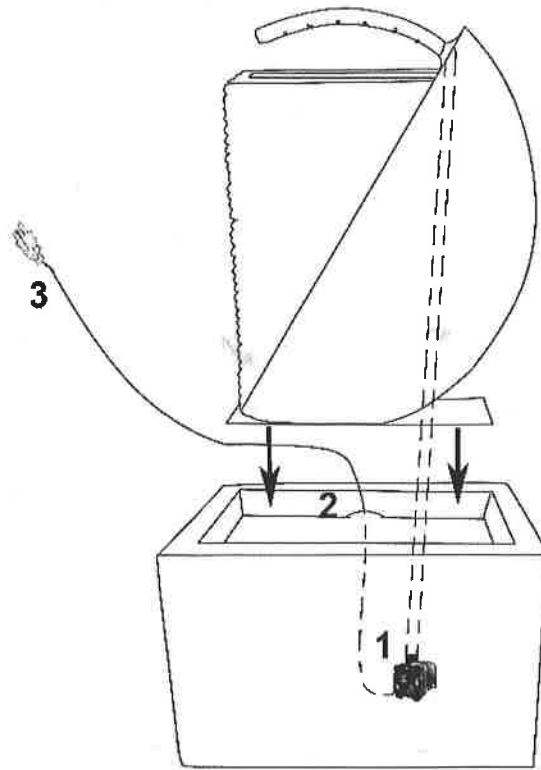


XM91796 Assembly Instruction



Please read the assembly and operating instructions carefully and observe the safety instructions. Keep these details in a safe place for future reference.

ASSEMBLY

1. Connect tubing to the pump.
The pump flow can be adjusted with the regulator, this is usually found on the inlet of the pump.
We recommend starting with the regulator full open and then adjusting down if required
Ensure that any wires are not tangled or trapped when assembling the components
2. Go the wire through the groove on the back.
3. Fill the feature with sufficient water to fully submerge the pump. Connect the plug to your mains outlet. If outdoors the outlet must be waterproof.
If in doubt about any electrical connections please consult a qualified electrician

IMPORTANT CARE NOTICE

- * Fill the fountain with sufficient water to ensure the pump is well submerged.
- * Clean and top-up the water on a regular basis.
- * Always shut off the power before cleaning and maintaining the pump.
- * Never allow the fountain pump to run dry as this will cause damage and invalidate the warranty.
- * It's not recommended to leave the fountain running constantly. We suggest turning the fountain on/off when required.

WINTER CARE(when fountain is used outdoor)

- * During winter never allow ice to form in the bowls as the force of the ice forming will crack the bowls. Drain the fountain and store indoors.
- * The pump should be disconnected from the main supply, removed from the fountain and cleaned in the following way:
 - (a) remove the inlet cover from the front of the pump and gently grip the impeller to pull out the rotor assembly from the pump
 - (b) clean the rotor and rotor housing with water then dry with kitchen paper
 - (c) reassemble the parts and store the pump in dry area

TROUBLESHOOTING

If the water pump fails to operate, check the following:

1. If the pump cannot pump water check if the power is correctly connected or check if sufficient water is inside the reservoir.
 - (a) Check the pump and tubing for any form of obstructions.
 - (b) Remove the cover with the pump flow adjuster on it and gently lever off the inner cover to reveal the pump impeller and gently turn the rotor to check that it is not broken or jammed.
2. If the pump runs with slow water circulation check the following:
 - (a) The flow control on the body of the pump.
 - (b) Ensure the pump is completely submersed.
3. If any abnormal sound is heard during the pump operation, turn off the power supply and check the rotor assembly as follows:
 - (a) Remove the pump cover and rotor plate from the front.
 - (b) Grip the impeller and gently take out the rotor assembly from the pump.
 - (c)Rinse the motor assembly and the housing with clean water in order to remove any grit or debris.
 - (d) If any breakage or surface damage is found on the rotor assembly, pls contact you supplier, if replacement needed.

We hope you continue to enjoy you water feature for many years. Over time the paint finish will gradually mellow in color, this is part of the natural weathering process.