

# WARNING

## IMPORTANT SAFETY INSTRUCTIONS READ AND FOLLOW ALL INSTRUCTIONS.

**WARNING:** To reduce the risk of injury, do not permit children to use this product.

**WARNING:** Assemble and disassemble this product by adult only.

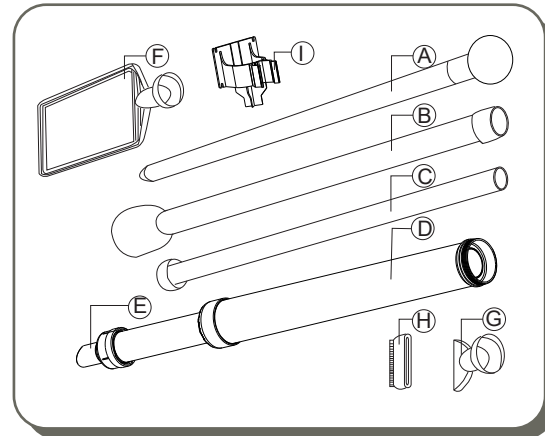
**WARNING:** This is not a toy. Always store the unit out of the reach of children.

**WARNING:** Do not leave the unit in the pool or spa when not in use.

**NOTE:** Remove the product from the pool before placing a cover over the pool.

**NOTE:** Please examine and verify all components are present before use.

## SAVE THESE INSTRUCTIONS



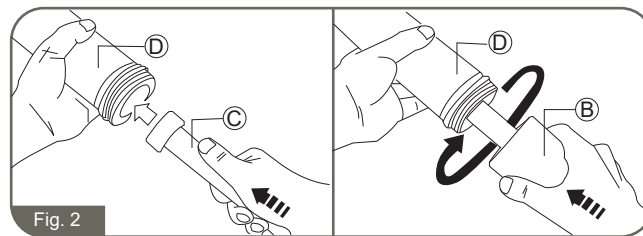
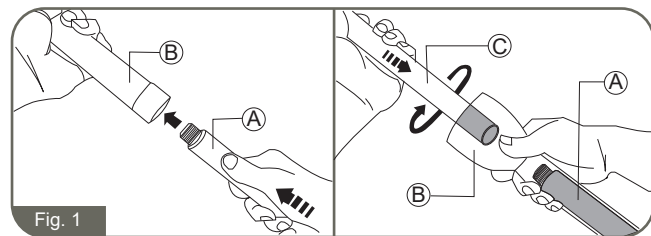
Ref.	Name	Ref.	Name
A	Upper Rod	F	Skimmer (not included) (optional)
B	Upper Tube	G	Wide mouth suction nozzle
C	Lower Rod	H	Wide mouth brush
D	Lower Tube	I	Wall mount holder
E	Suction Nozzle (assembled with filter basket on bottom)		

### ASSEMBLY INSTRUCTIONS

#### 1) Assembly of main body

Insert the upper rod into upper tube from top to the end of the upper tube. Connect the upper rod with lower rod by screwing the threaded connector. (See Fig.1)

2) Gently place the bottom of the lower rod into the central opening of the lower tube. Slide the upper tube inside until it meets with the lower tube screw connector. Connect the upper and lower tubes by turning the upper tube clockwise. (See Fig.2)



### ASSEMBLY OF ACCESSORIES

The Pool & Spa Vacuum Kit comes with different accessories (suction nozzle, wide mouth suction nozzle and brush) to help you easily clean away dirt and debris.

Use the suction nozzle to remove rocks and larger debris.

Use the wide suction nozzle and brush to scrub and remove dirt from stubborn spots.

Use the skimmer to remove floating objects such as leaves.

#### 1) Suction Nozzle

Push the suction nozzle onto the lower tube collar until it is in a locking position as shown (you will hear a "click" sound). (See Fig.3)

#### 2) Wide mouth Nozzle

Position the bottom opening of the wide mouth nozzle onto the suction nozzle. Push in the wide mouth nozzle until it stops. (See Fig.4)

#### 3) Brush

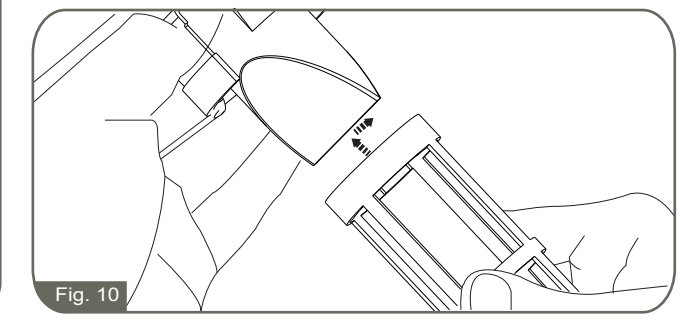
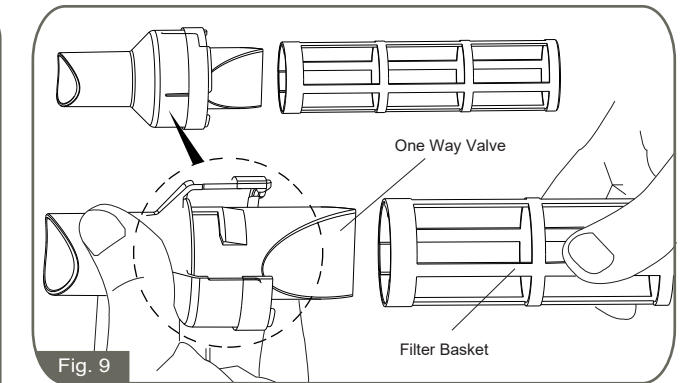
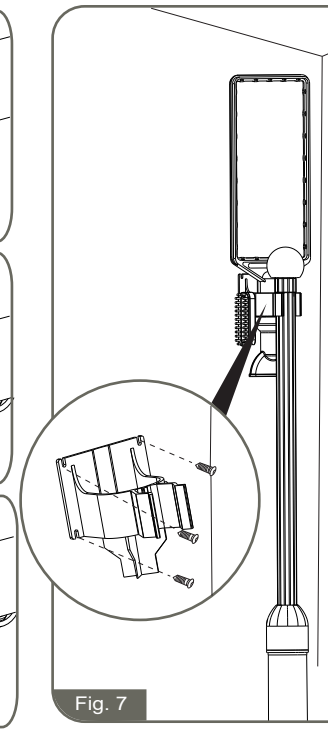
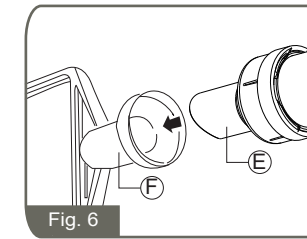
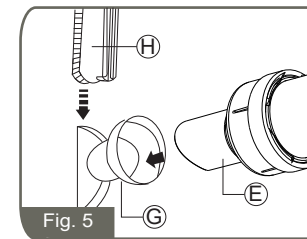
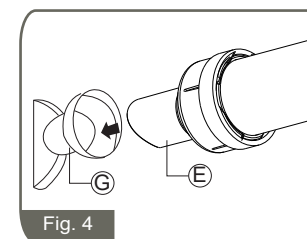
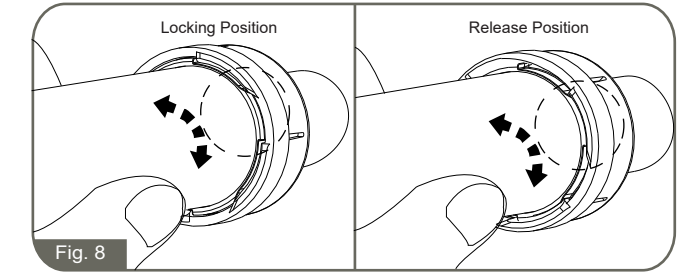
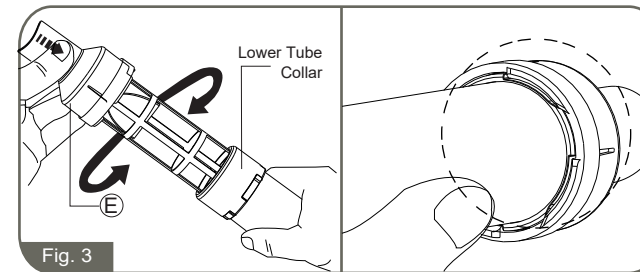
Slide the brush into the slot on the opening of the wide mouth suction nozzle. (See Fig.5)

#### 4) Skimmer

Position the bottom opening of the skimmer onto the suction nozzle. Push the skimmer on until it stops. (See Fig.6)

#### 5) Wall Mount Holder

Place the wall mount holder onto the wall at a height that is high enough for hanging the complete unit. Use screws (Ø3.5mm, not included) to secure the wall mount holder onto the wall. Place the accessories onto the mount as shown in the picture. (See Fig.7)



### OPERATION

Always start by priming the unit by placing the nozzle underneath the surface of the water. Pump the unit's handle in and out several times to remove air that may be trapped inside. Then, with the handle pushed completely in, pull the handle out to draw debris in.

### CLEANING

1. Twist the suction nozzle clockwise or anticlockwise to the release position, and then pull it out from the lower tube collar. (See Fig.8)

2. Grasp the plastic area at the base of the filter basket (DO NOT GRASP THE FILTER BASKET SCREEN). Rotate it anticlockwise until you feel it stop and then pull to remove it. (See Fig.9)

3. Rinse the filter basket with water to remove any debris caught inside.

**CAUTION: DO NOT SCRAPE THE VACUUM OR NOZZLE AGAINST ACRYLIC POOLS, AS THIS MAY DAMAGE THE SURFACE OF THE POOL.**

4. Replacing the filter basket to suction nozzle.

5. Locate the raised notches on the inside of the filter basket.

6. Line these up with the locking tabs on the one way valve and then slide the filter basket onto the one way valve. Rotate the filter basket clockwise until it locks into place. (See Fig.10)

7. Insert the suction nozzle into the lower tube collar of the tube.

### STORAGE:

After use, always drain water from the unit by removing the nozzle, and dry it before storing.

**NOTE:** Do not store under direct sunlight.

**NOTE:** Do not store outdoors or in a location where the temperature falls below freezing.